



Quick Reference

Search by part #

Input field with 'go' button

Check distributor part inventory

Stock Check CLICK HERE!

Products / Microprocessors / Desktop&Servers / 10-OLGC-01

10-OLGC-01

For Use With the Pentium III™ Processors to 933 MHz

Products

Browse Products

-By Device -

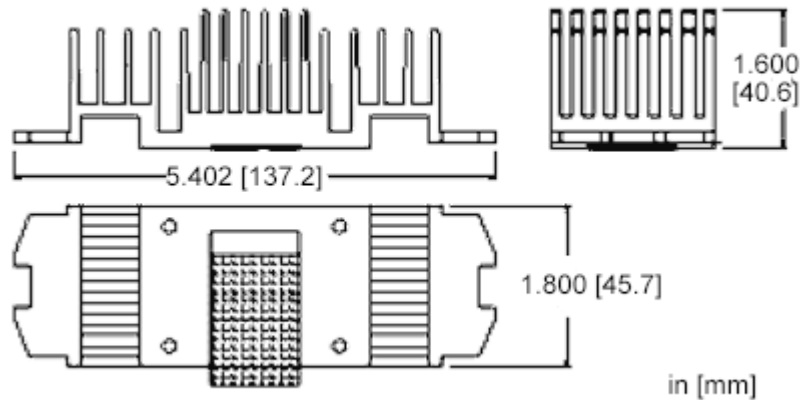
-By Product Line -

-Attachment Methods -

-Interface Materials -

-Accessories -

Mechanical Outline Drawing



Useful Links

MSDS Safety Sheets

How to order?

Find Sales Rep

Find Distributor

Sample Request

Quote Request

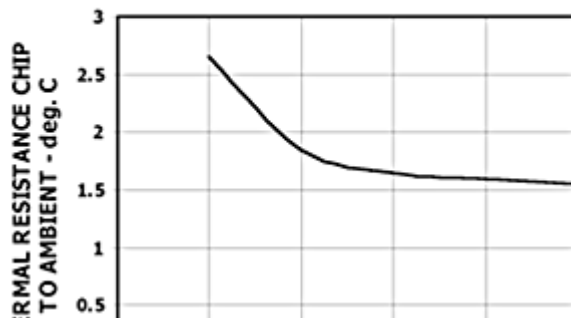
Catalog Request

Building a part #

Part # Cross Ref

Performance Graphs:

030102 (10-OLGC-01)



[Home](#) • [Aavid's Family of Companies](#) • [Sitemap](#)
[Disclaimer Statement](#) • ©2003 Aavid Thermalloy, LLC